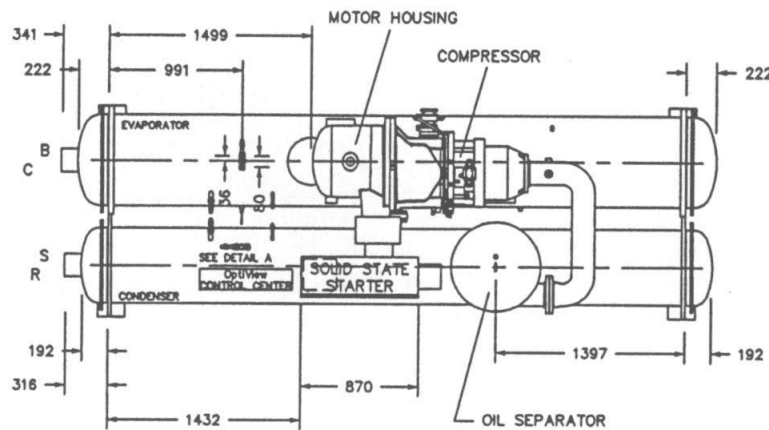
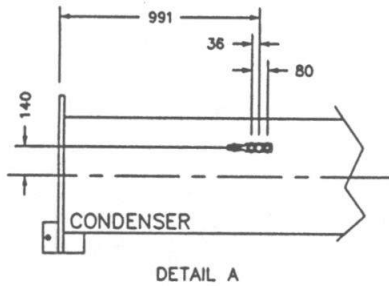


DIMENSIONS (mm) UNLESS OTHERWISE NOTED

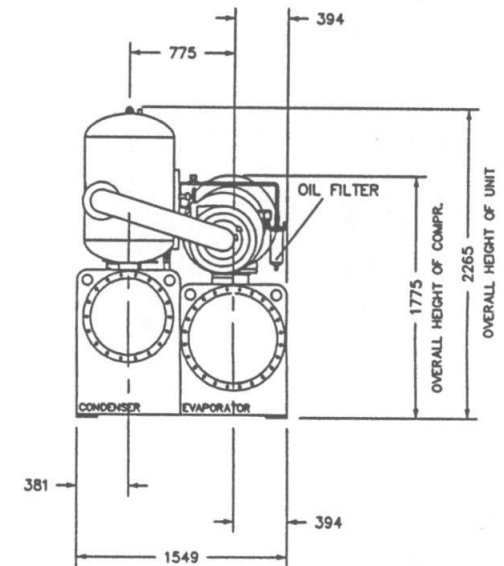
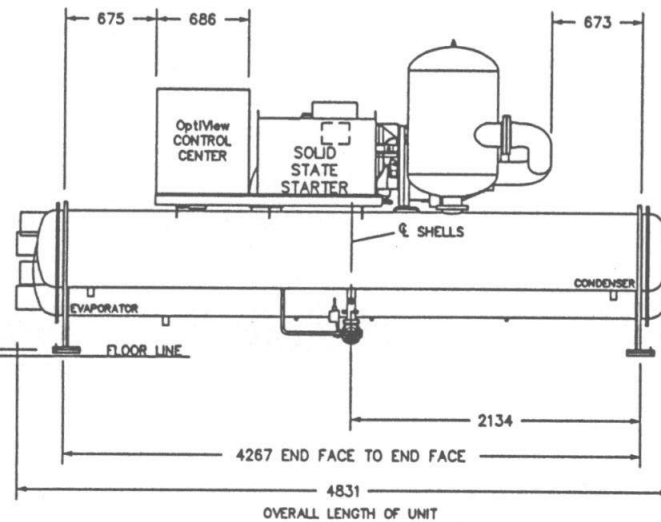
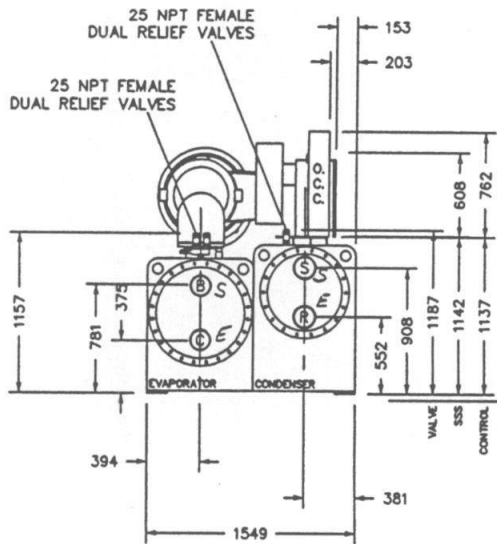
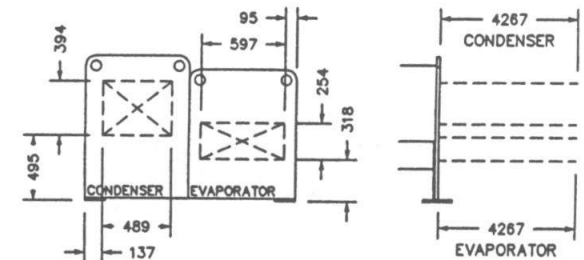
FR 10

**NOZZLE LEGEND**

EVAPORATOR INLET "C" 2 PASS 152 DIA. (10.3 Barg DWP)  
 EVAPORATOR OUTLET "B" 2 PASS 152 DIA. (10.3 Barg DWP)  
 CONDENSER INLET "R" 2 PASS 152 DIA. (10.3 Barg DWP)  
 CONDENSER OUTLET "S" 2 PASS 152 DIA. (10.3 Barg DWP)



**TUBE PULL AREA DETAIL**



SHIPPING WT.: 6923 KG, OPERATING WT. 7418 KG, LOAD PER ISOLATOR 1854 KG

**PRODUCT DRAWING**

MaxE Screw Liquid Chiller  
 MODEL YR VD VD T1 5 50 A  
 NOT FOR CONSTRUCTION

Project Name: 02Y492  
 Location: ,  
 Engineer:  
 Contractor:  
 For: REFERENCE

Sold To:  
 Cust Purch Order#:  
 York Contract#:  
 UNIT TAG: 02Y492

Date: 07/01/03  
 Rev Date: 08/01/03  
 Form:  
 Dwg. Lev.:  
 Dwg. Scale : NTS



Copyright (c) York International Corp. 1998